

# Maguire Products – Gravimetric Blender Data Sheet

## Weigh Scale Blender – WSB 961P Blender

### Design

The WSB 961P consists of 1 fixed hopper with 6 material compartments fitted with 6 Slide gates for materials with small to large percentages and 1 Removable Spiral Powder Feeder fitted with a 1" Screw for metering small percentages. The materials hopper is mounted on a compact and robust steel frame.

### Operation

- ❖ Each component is dispensed in turn through pneumatic slide gates and the auger feeder.
- ❖ Before the batch commences and after each dispense is made the Controller takes a weight reading to ensure complete accuracy for the materials settings made.
- ❖ The materials are dispensed in turn onto a central weigh bin mounted on two load cells.
- ❖ Each batch is limited by the capacity of the weigh bin at 9000g per batch.
- ❖ When each batch is completed it is released into the mixing chamber.
- ❖ Material levels in the mixing chamber are controlled by a level sensor mounted in the upper part of the mix chamber.
- ❖ When the level of material in the chamber covers the sensor the Control System will pause the blender to ensure consistent and good mixing.
- ❖ Once the blended material level falls below the sensor, the cycle is repeated.
- ❖ Material Dispenses are regulated by the Control System that continuously monitors the set percentages.
- ❖ The Control System ensures that the material settings made remain within tight tolerances. If variations in bulk density occur the Control will automatically adjust dispenses to meet the target settings.
- ❖ Settings are made easily by simply dialling in the percentages of each component on thumbwheels.
- ❖ Alternatively the password access keypad can be used to ensure only authorised personnel to can set, reverse or restrict thumbwheel settings.
- ❖ The flexible software offers a wide range of other functions and can easily be set using the password controlled keypad.
- ❖ Data retrieval is freely available with data available by viewing on the controller screen, connecting a standard printer or by using the Maguire MLAN software that allows you to connect a Computer to the blender.

### Options

#### MECN – Maguire Extrusion Control Network

The blender can be integrated with an extruder to control the extruder speed to ensure consistent kg/hr output. This improves quality, control, and efficiency and reducing materials costs.

**G2 – Maguire Local Area Network** The blender can be linked to 1 computer to send and retrieve material settings and recipes and provide important material consumption reports for quality control, costs and easy reference on production.

**FCA – Flow Control Assembly** A separate product is available to mount below the blender when it is not mounted directly on the throat. This ensures good mixing and a consistent blend of material.

**VTA-9 Blender Stands** Maguire can supply a stand with material bin (capacity 114Kg) to mount the blender remotely.

For further information on the extensive range Products and Options from Maguire visit [www.maguire.com](http://www.maguire.com).

### Warranty

All Maguire products are covered by a 5 year parts warranty. This is the most comprehensive warranty in the Industry.

### Compliance – CE & Year 2000

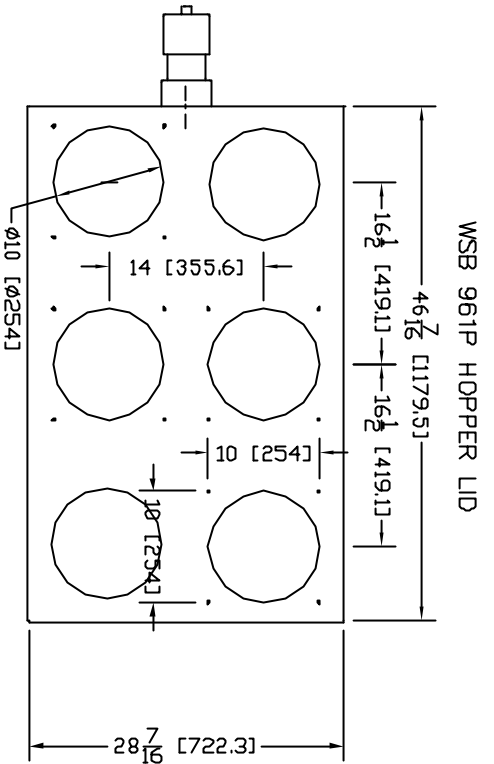
The Maguire blender is fully CE certified and meets all the requirements for Year 2000 compliance.

### Technical Summary

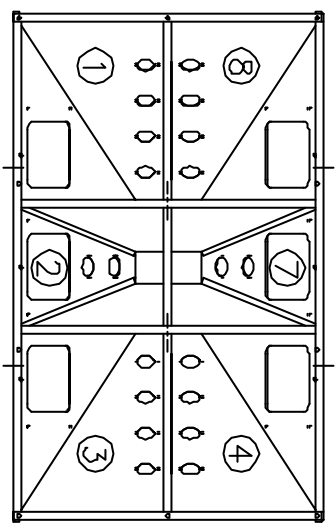
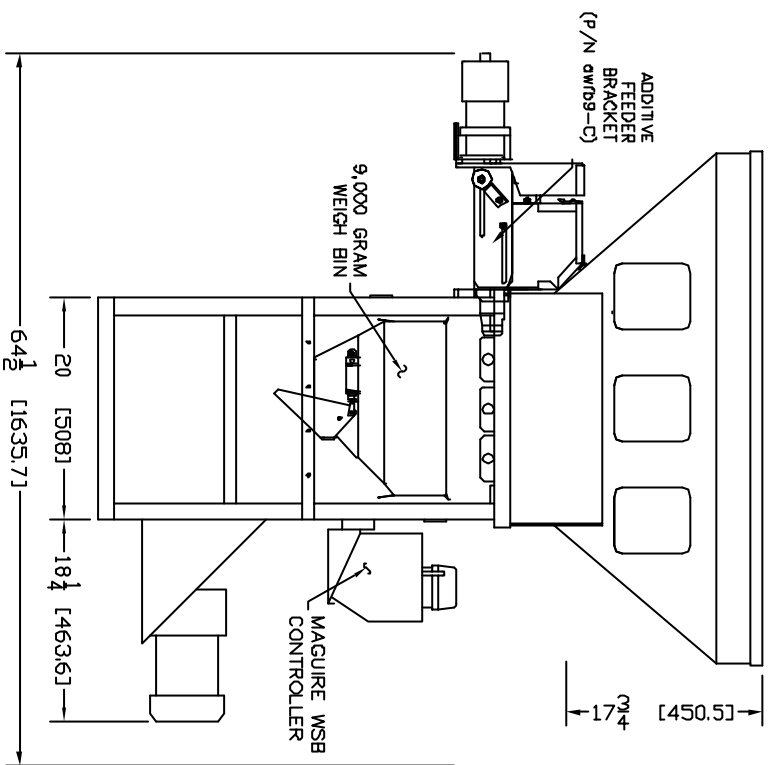
Model	WSB 961P
Maximum Throughput	900 Kg/hr
Number of Materials	7
Material Dispense System	6 Slide Gates 1 1" Powder Feeder
Weight	213 Kg
Power Supply	240 V - Controller 480 V - Mix Motor
Compressed Air Pressure	6 – 8 Bars
Compressed Air Usage	0.3 m <sup>3</sup> /hr

### Shipping Data

Shipping Weight	248Kg
W x H x D	H212 x 140 x 80



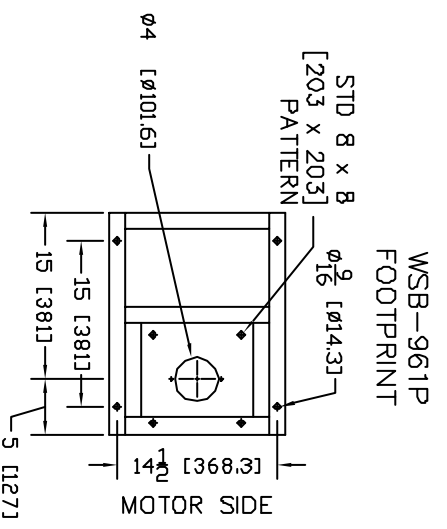
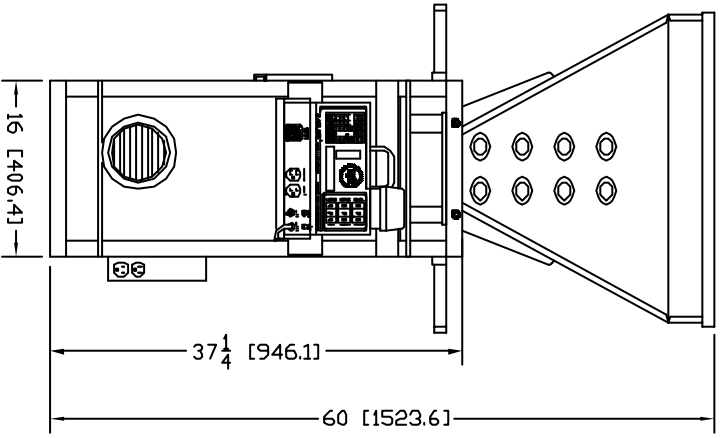
WSB 961P FRONT VIEW



WSB 962 HOPPER-TOP VIEW

MODEL WSB-961P  
 \* COMPARTMENTS 1, 3, 4 & 8 - 1.5 CU. FT. [42 LITRE]  
 \* COMPARTMENTS 2 & 7 - 1 CU. FT. [28 LITRE]  
 \* POWDER FEEDER HOPPER - .17 CU. FT. [4.9 LITRE]

WSB 961P SIDE VIEW



<p><b>MAGUIRE</b>  <b>PRODUCTS, INC.</b>          11 Chazy Road, Nelson, PA 18004          Tel: (610) 498-2700          Fax: (610) 498-2700  <a href="http://www.maguire.com">http://www.maguire.com</a></p>	<p>Model WSB-961P with          Model AWF-8P Powder          Feeders</p>	<p>DATE DRAWN          05/02/02</p>
	<p>DATE CHANGED</p>	<p>DATE CHANGED</p>
<p>DRAWN BY          CC</p>	<p>SHEET          1 OF 1</p>	<p>DATE CHANGED</p>