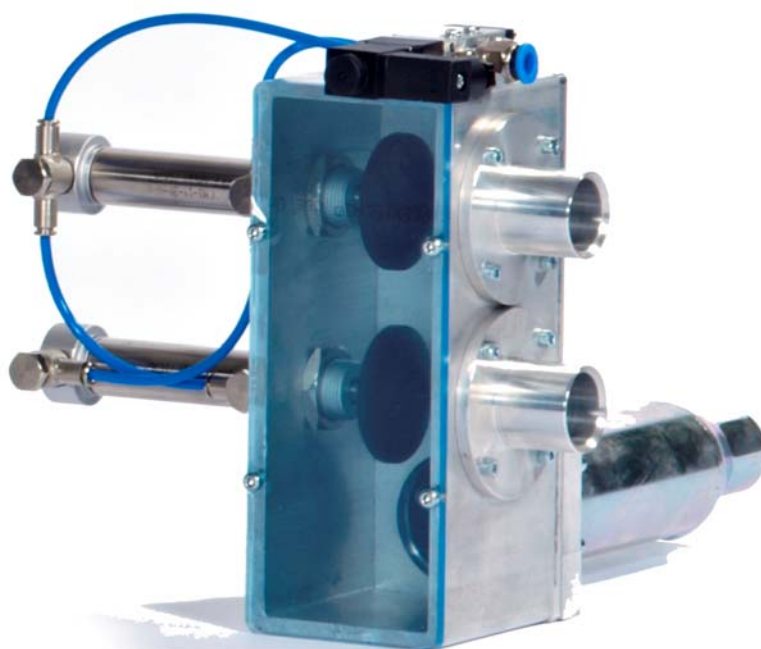




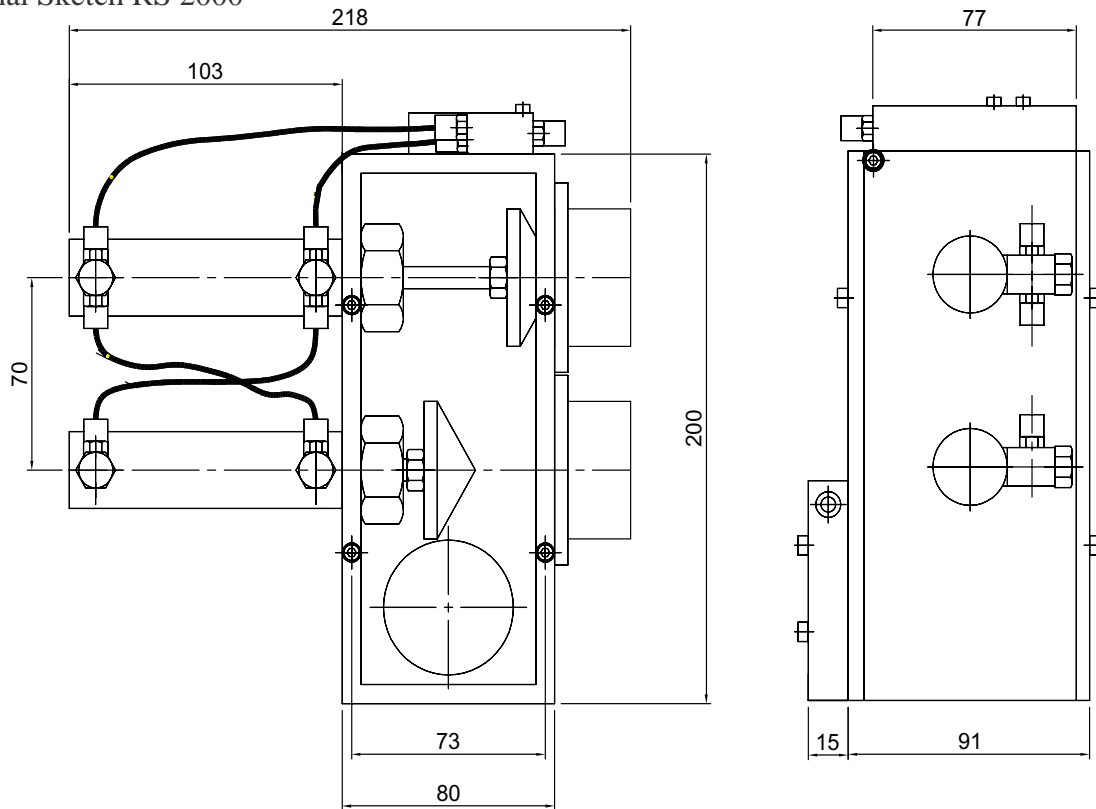
Ratio-Selector RS 2000



Adjustable, 2-Way Proportioning Valve for Hopper Loaders

- Mixes materials by proportional mixing
- Easily mounted to hopper loader
- Adjustable suction time
- Simple mixing technique for regrind usage

Dimensional Sketch RS 2000



Electric control - easy and simple to operate.

Order No.	Description:
100974	Ratio-Selector , RS2000, 2~50HZ 400V
100970	Ratio-Selector , RS2000, 24 V 50/60Hz
Optional Material Inlet:	
406443	Material inlet $\varnothing 50,8$ mm
406442	Material inlet $\varnothing 44,5$ mm
406441	Material inlet $\varnothing 38$ mm
406440	Material inlet $\varnothing 32$ mm
Standard Equipment:	
Mixing valve Control panel Material inlet $\varnothing 50,8$ mm	
Accessories:	
Warning lamp Stainless steel suction probe Suction probe, electroplated	



Labotek A/S
Strøbjergvej 29
DK-3600 Frederikssund
Tel: +45 4821 8411
Fax: +45 4821 8000
E-mail: info@labotek.com
www.labotek.com

Manufacturer's Representative: