

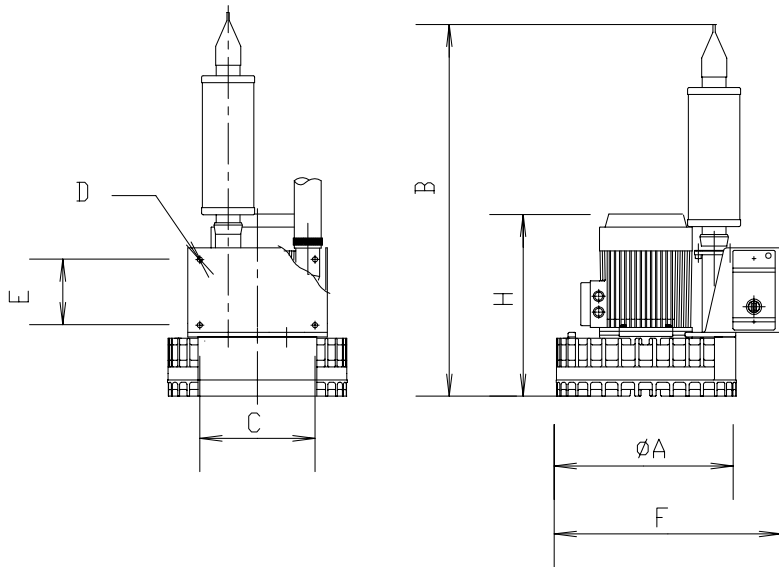


SVR-I 4-50 **Stainless Steel Vacuum Conveyor**

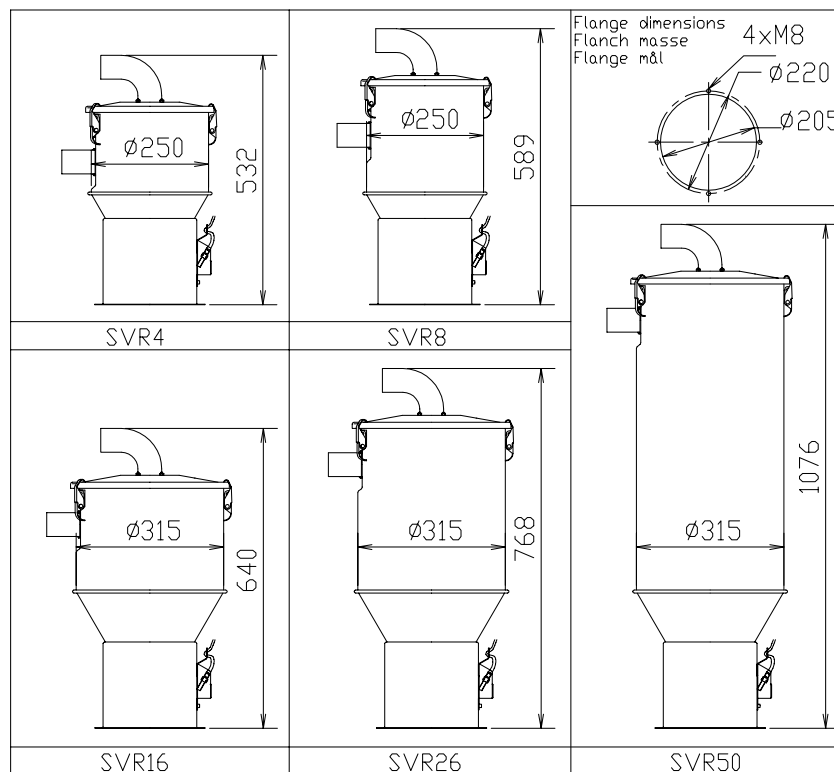


Stainless Steel Vacuum Conveyor for Conveyance of Free-Flowing Granules

- 5 sizes SVR Hopper, 4, 8, 16, 26, og 50 litre
- Execution in stainless steel
- Designed for continuous operation
- Robust design
- Effective filter system
- Delivered as kit with vacuum blower, hose, suction probe and control
- SVR Hopper can be Integrated as a Part of Labotek's Centralized Systems
- Blowers from 0,4 - 3,4kW



Type	LT 3-I	LT 4-I	LT 5-I	LT 6-I	LT 6-I BB
kW	0,4	1,1	1,3	3,4	3,4
A	253	300	345	381	381
B	700	800	850	900	1100
C	140	232	246	246	246
D	11	11	11	11	11
E	60	102	140	140	140
F	265	330	430	450	450



All measurements are stated in mm

Type	SVR-I 4	SVR-I 8	SVR-I 16	SVR-I 26	SVR-I 50
A	275	275	340	340	340
B	555	610	670	790	1100



Labotek A/S
 Strøbjergvej 29
 DK-3600 Frederikssund
 Tel: +45 4821 8411
 Fax: +45 4821 8000
 E-mail: info@labotek.com
 www.labotek.com

Manufacturer's Representative: