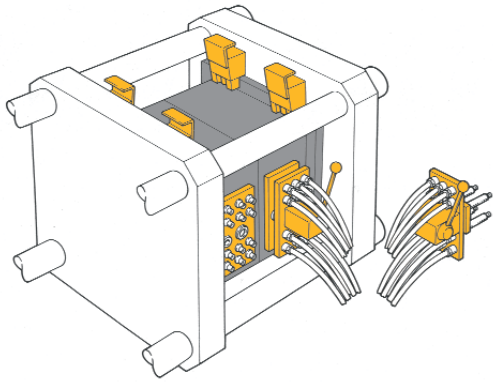


# Manual multi couplers

**Simple and quick leak-proof connections of several water, air, oil and electrical circuits. EAS can provide you with a complete range of mono couplers as well.**

**ASK FOR OUR EAS COUPLER CATALOGUE.**



*This is an example of how fluid connections are often done, resulting in inefficient cooling, leakage and high scrap rates.*



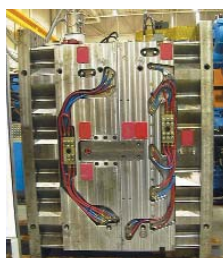
**The leak-proof EAS manual multi couplers are available in standard versions with 6 and 12 mono couplers. A variety of hose connection sizes and configurations are available for the mould half multi couplers.**

These high quality leak-proof water couplers can also be combined with air, hydraulic and electrical connectors to provide quick connections for all of the moulds utilities.

A simple parking station is provided to hang the machine side multi coupler during mould change, avoiding coupler damage.

With these coupler solutions, fluid and electrical connections can be made in a few minutes while keeping the floor and the system clean.

*Here is an example of the correct way of connecting several fluid circuits, without the risk of leakage or misconnection. When used in conjunction with a good water treatment system, EAS multi couplers will reduce scrap and improve the quality of your production.*



*Two standard manual multi couplers with 12 water connections, a special manual multi coupler with 5 electric connectors for signals and heating purposes and one special manual multi coupler for hydraulic core pulling connections are mounted on these 40 t moulds.*

*The fluid and electrical connections are done within 3 minutes and without leakage of water or oil, which keeps the area very clean.*

**EAS can also supply a complete range of open and closed multi couplers which are completely interchangeable with a leading competitive brand. We can also supply a variety of interchangeable mono couplers some well known brands.**

**CONTACT EAS FOR MORE DETAILS.**



*A manual multi coupler with several electrical connectors for heating and sensor signals. A standard 12 connection multi coupler, with size 12 (1/2") water connections is used for the cooling circuits. A park station is used for hanging the manual multi coupler during mould change. These multi couplers solutions were implemented on five 1300 t machines.*

